

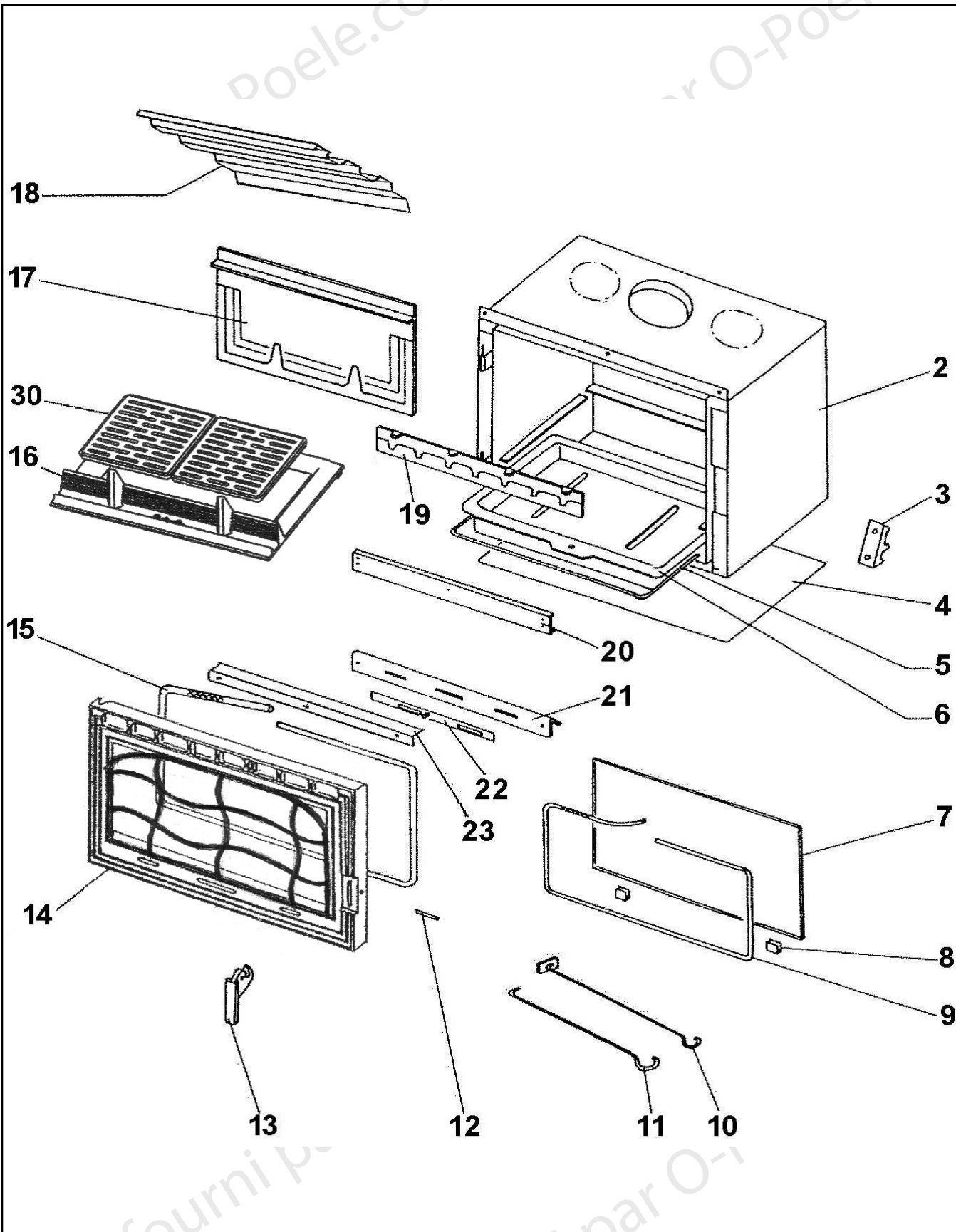
Eclaté

 Date d'application : 01.07.03
 Indice A

INSERT BOIS

PORTE "SOUPIRAIL" GRISE C07833.PT09

PORTE "SOUPIRAIL" LAITONNEE C07833.PT12



Eclaté
INSERT BOIS

PORTE "SOUPIRAIL" GRISE C07833.PT09

PORTE "SOUPIRAIL" LAITONNEE C07833.PT12

| REP. | DESIGNATION | REF. PIECE | 1ère URG | REP. | DESIGNATION | REF. PIECE | 1ère URG |
|------|---|-----------------|----------|------|-------------|------------|----------|
| 2 | Ens. corps soudé | P0027527 | | | | | |
| 3 | Verrou de porte | P0T18055 | | | | | |
| 4 | Ecran | P0027605 | | | | | |
| 5 | Anse de cendrier | P0018715 | | | | | |
| 6 | Cendrier | P0020366 | | | | | |
| 7 | Verre de porte | P0027017 | X | | | | |
| 8 | Profilé entretoise - prof. 30/10 (0,02 m) | P0023047 | | | | | |
| 9 | Tresse - Ø6 - noire | D0045937 | | | | | |
| 10 | Raclette | P0013447 | | | | | |
| 11 | Poignée tisonnier | P0045661 | | | | | |
| 12 | Goupille cannelée - ISO 8745 - 8-24 | P0027091 | | | | | |
| 13 | Clenche | A P0T20337 | | | | | |
| | Clenche laitonée | B P0G20337 | | | | | |
| 14 | Porte "souple" | A P0T47886/P06B | | | | | |
| | Porte "souple" - laitonée | B P0T47886/12 | | | | | |
| 15 | Tresse - Ø15 - noire | D0045928 | | | | | |
| 16 | Corbeille de foyer | P0047512 | X | | | | |
| 17 | Plaque arrière de foyer | P0022982 | X | | | | |
| 18 | Déflexeur | P0022956 | | | | | |
| 19 | Avaloir usiné | P0U22957 | | | | | |
| 20 | Guide d'air supérieur | P0040021/P09E | | | | | |
| 21 | Support volet | P0037954 | | | | | |
| 22 | Ens. volet de réglage | P0037944/P09E | | | | | |
| 23 | Joint métallique | P0037941 | | | | | |
| 30 | Grille (2) | P0045915 | X | | | | |
| | | | | | | | |

A: C07833.PT09

B: C07833.PT12